

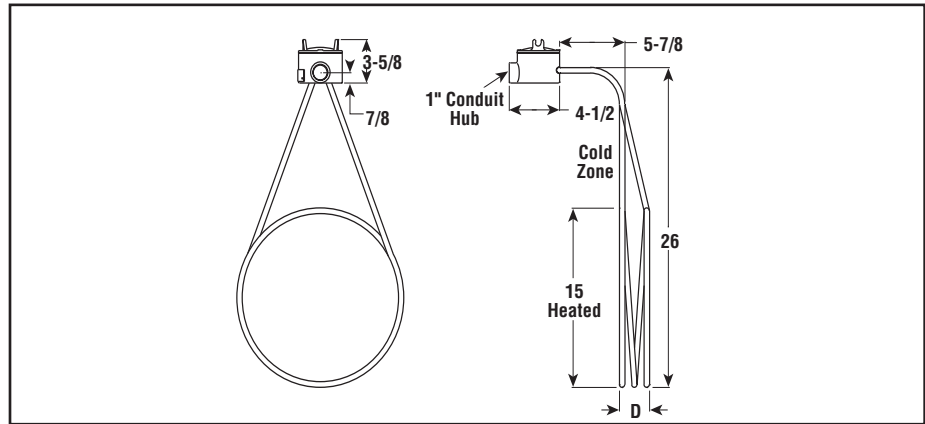
## CT

### Side Mount Metal Sheath Heater

- 304 Stainless Steel, Titanium, Steel, Copper, and Carpenter 20 Sheath Elements
- 5 - 7.5 kW
- 20 - 44 W/In<sup>2</sup>
- 240 Volt, Single Phase
- Moisture Resistant Terminal Enclosure



*Dimensions (Inches) — CTS, CTC, CTSS, CTAC*

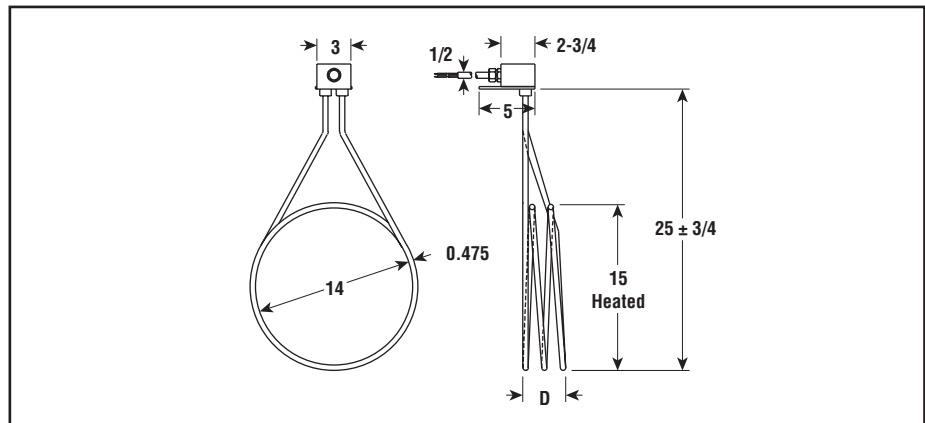


#### Features

- Choice of six different sheath materials.
- Vertical Loop configuration with low profile for maximum conservation of tank space.
- Medium to high watt density.

**Vapor-Tight Cast Alloy Terminal Enclosure** on all except type CTT. Type CTT has special plastic covered terminal enclosure and 3-foot lead wire (two conductors and a ground wire) inside a liquid-tight flexible conduit with removable lid.

*Dimensions (Inches) — CTT*



#### Specifications and Ordering Information

kW	Volts	W/In <sup>2</sup>	Phase	DIM D (In.)	Sheath Material	Model	Stock	PCN	Wt. (Lbs.)
5	240	25	1	2	Steel	CTS-50	NS	195901	20
7.5	240	40	1	2	Steel	CTS-75	S	195910	20
5	240	25	1	2	Copper	CTC-50	NS	195928	20
7.5	240	40	1	2	Copper	CTC-75	S	195936	20
5	240	25	1	2-3/4	304SS	CTSS-50	S	195944	20
7.5	240	40	1	2-3/4	304SS	CTSS-75	S	195952	20
5	240	25	1	2-3/4	Carpenter 20	CTAC-50	S	195995	20
7.5	240	40	1	2-3/4	Carpenter 20	CTAC-75	NS	196007	20
5	240	44	1	1-1/2	Titanium	CTT-50	S	269350	20
7.5	240	44	1	2-1/2	Titanium	CTT-75	NS	269368	20

**Stock Status:** S = stock    NS = non-stock  
**To Order**—Specify model, PCN, kW, volts, phase and quantity.